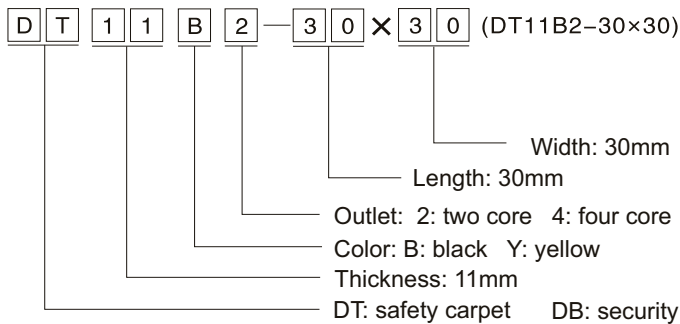


◆ DT SERIES SAFETY CARPET SENSOR

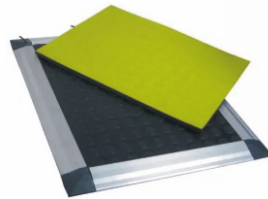
- ★ Suitable for heavy-duty factory conditions and special industrial occasions. (Suitable for automobile factory welding workshop, shipyard welding robot, tire factory, metal processing and various types of oil pollution and corrosion environment use).
- ★ NBR rubber package, NBR oil resistant rubber anti slip surface, anti-skid grade R9. (special corrosion environment can be customized)
- ★ It is used to detect people or heavy weights above 20 kilograms.
- ★ 16 sizes or customized dimensions can be customized.
- ★ It can withstand the heavy load of 8000N/cm.
- ★ It can accept 2 and 4. The length of the signal cable is 5 meters or ordered.
- ★ The thickness of safety carpet sensors is 11mm, 15mm and 20mm (20mm needs special customization).
- ★ Products comply with IEC61508, EN1760-1 and SO13856-1 standards.
- ★ Combined with LCS safety relay, the safety level can reach Pe (EN-1S013849).

◆ DESCRIPTION OF SAFETY CARPET TYPE SPECIFICATION SHEET



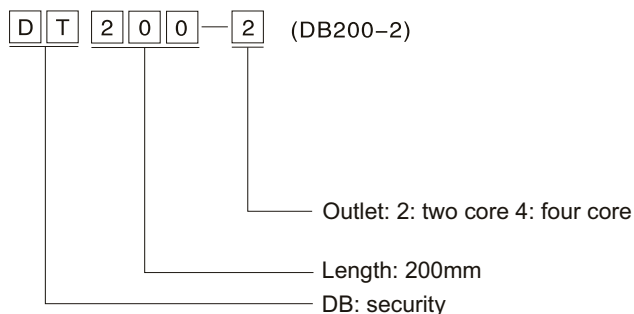
◆ TECHNICAL FEATURES OF DT SERIES SAFETY CARPETS

APPEARANCE



Model	DT11B2-30×30	
Detection method	Pressure feeling mode	
Trigger force	< 20 kg	
Maximum allowable load	Dynamic load 8000N cm ² (able to withstand dynamic impact load)	
Mechanical life	>3,000,000次	
Protective layer material	NBR (Ding Jing rubber)	
Response time	13ms	
Ambient temperature	-35℃~+65℃	
Protection grade	IP65	
Maximum humidity	95%RH	
Security classification	EN1760-1: Reset command	Support
	ISO 13849-1:2006	Classification
	MTTF _d	>30 Years
	B _{10d}	6*10 ⁶
	N _{OP} (accept)	52560/ Years
IEC 61508:PFH _s	9.99*10 ⁻⁸ 1/h(SIL3)	

◆ SAFETY SIDE TYPE SPECIFICATION SHEET SPECIFICATION



◆ SAFETY SIDE TYPE SPECIFICATION SHEET SPECIFICATION

APPEARANCE



Model	DB200-2
Length	200~6000mm
Protective material	EPDM
Use of temperature	-35℃~+65℃
Protection grade	IP65

◆ DT SERIES SAFETY CARPET SPECIFICATION SHEET

size		DT11 series		Dt15 series	Dt20 series
A(mm)	B(mm)	Thickness 11MM black	Thickness 11MM yellow	Thickness 15MM black	Thickness 20MM black
300	300	DT11B2-30×30	DT11Y2-30×30	DT15B2-30×30	DT20B2-30×30
400	400	DT11B2-40×40	DT11Y2-40×40	DT15B2-40×40	DT20B2-40×40
500	250	DT11B2-50×25	DT11Y2-50×25	DT15B2-50×25	DT20B2-50×25
500	400	DT11B2-50×40	DT11Y2-50×40	DT15B2-50×40	DT20B2-50×40
500	500	DT11B2-50×50	DT11Y2-50×50	DT15B2-50×50	DT20B2-50×50
600	400	DT11B2-60×40	DT11Y2-60×40	DT15B2-60×40	DT20B2-60×40
750	250	DT11B2-75×25	DT11Y2-75×25	DT15B2-75×25	DT20B2-75×25
750	500	DT11B2-75×50	DT11Y2-75×50	DT15B2-75×50	DT20B2-75×50
1500	1000	DT11B2-150×100	DT11Y2-150×100	DT15B2-150×100	DT20B2-150×100